

		Petrol engines					
		C 180	C 200	C 200 4MATIC	C 300	Mercedes-AMG C 43 4MATIC Edition	Mercedes-AMG C 63 [C 63 S]
Model							
Engine							
Total displacement	cc	1,595	1,497	1,497	1,991	2,996	3,982
Arrangement/cylinders/valves		in-line/4/16	in-line/4/16	in-line/4/16	in-line/4/16	V/6/24	V/8/32
Fuel delivery		Electronically controlled direct injection with turbocharger	Electronically controlled direct injection with turbocharger	Electronically controlled direct injection with turbocharger	Electronically controlled direct injection with turbocharger	Electronically controlled direct injection with twin turbochargers	Electronically controlled direct injection with twin turbochargers
Power ¹	hp (kW) at rpm						
Combustion engine		156 (115)/5,300	184 (135)/5,800–6,100	184 (135)/5,800–6,100	258 (190)/5,800–6,100	390 (287)/6,100	476 (350)/5,500–6,250 [510 (375)/5,500–6,250]
EQ Boost		–	10 kW	10 kW	–	–	–
Torque ¹	Nm at rpm						
Combustion engine		250/1,200–4,000	280/3,000–4,000	280/3,000–4,000	370/1,800–4,000	520/2,500–5,000	650/1,750–4,500 [700/2,000–4,500]
Compression ratio		10.3:1	11.0:1	11.0:1	10.5:1	10.5:1	10.5:1

¹Figures according to Directive 80/1269/EEC in the currently applicable version

		Petrol engines					
Model		C 180	C 200	C 200 4MATIC	C 300	Mercedes-AMG C 43 4MATIC Edition	Mercedes-AMG C 63 [C 63 S]
Transmission							
6-speed manual		●	-	-	-	-	-
9G-TRONIC PLUS 9-speed auto.		○	●	●	●	●	-
AMG SPEEDSHIFT MCT 9-speed auto.		-	-	-	-	-	●
Tyre sizes							
Front		225/50 R 17	225/50 R 17	225/45 R 18	225/45 R 18	225/40 R 19	245/40 R 18 [245/35 R 19]
Rear		225/50 R 17	225/50 R 17	245/40 R 18	245/40 R 18	255/35 R 19	265/40 R 18 [265/35 R 19]
Performance		man.	auto.	auto.	auto.	auto.	auto.
Acceleration 0-62 mph	s	8.2	8.6	7.7	8.1	5.9	4.7
Top speed	mph	140	139	149	145	155 ²	155 ²

		Petrol engines						
Model		C 180	C 200	C 200 4MATIC	C 300	Mercedes-AMG C 43 4MATIC Edition	Mercedes-AMG C 63 [C 63 S]	
Weights and capacities		man.	auto.	auto.	auto.	auto.	auto.	
Kerb weight ³	kg	1,440	1,475	1,505	1,595	1,555	1,705	1,745 [1,755]
Perm. Gross Vehicle Weight	kg	2,020	2,055	2,085	2,175	2,135	2,225	2,175 [2,180]
Towing capacity - unbraked/braked	kg	720/1,400	710/1,800	710/1,800	750/1,800	750/1,800	750/1,800	-/-
Boot capacity - seats up	l	455	455	435	435	455	tba	435
Fuel tank capacity/of which reserve	l	66/7	66/7	66/7	66/7	66/7	66/7	66/7
Turning circle	m	11.18	11.18	11.18	11.40	11.18	12.10	11.80
Fuel consumption^{4,5,6}		man.	auto.	auto.	auto.	auto.	auto.	auto.
Combined (consumption dependent on chosen optional equipment)	l/100km mpg	6.5-7.5 43.5-37.7	tba	tba	tba	tba	tba	10.9-11.1 [10.9-11.2] 25.9-25.5 [25.9-25.2]

³Figures according to Directive 92/21/EC (kerb weight with fuel tank 90% full, driver, 68 kg, and luggage, 7 kg) for standard-specification vehicles. Optional extras and accessories will generally increase this figure and reduce the payload capacity accordingly

⁴All figures are based on a standard specification with the smallest tyre size ⁵The choice of wheels and transmission may affect CO₂ emissions and corresponding Road Fund Licence

⁶The indicated values were determined according to the prescribed measurement method - Worldwide Harmonised Light Vehicle Test Procedure (WLTP). Figures shown may include options which are not available in the UK.

Figures shown are for comparability purposes; only compare with other cars tested to the same technical procedures. Figures may not reflect real life driving results, which will depend upon a number of factors including factory-fitted options, accessories fitted (post registration), variations in weather, driving styles and vehicle load. Further information about the test used to establish fuel consumption and CO₂ figures can be found at <http://www.mercedes-benz.co.uk/WLTP>

Model	Petrol engines						
	C 180	C 200	C 200 4MATIC	C 300	Mercedes-AMG C 43 4MATIC Edition	Mercedes-AMG C 63 [C 63 S]	
CO₂ emissions^{5,6,*}	g / km						
	man.	auto.	auto.	auto.	auto.	auto.	auto.
Emissions standard	EU6	EU6	EU6	EU6	EU6	EU6	EU6
16" 205/60 tyres	134	-	-	-	-	-	-
17" 225/50 tyres	138	tba	tba	-	-	-	- [-]
18" 225/45 tyres (Sport Edition)	134	tba	tba	-	tba	-	-
18" 225/45 tyres (AMG Line Edition)	134	tba	tba	tba	tba	tba	227 [-]
19" 255/35 tyres	142	tba	tba	tba	tba	tba	227 [227]

Insurance group ratings

S/SE	tba	tba	tba	-	-	tba	-
Sport Edition/AMG Line Edition	tba	tba	tba	tba	tba	-	tba
Incl. Premium	-	tba	tba	tba	tba	tba	tba
Incl. Premium Plus	-	tba	tba	tba	tba	tba	tba

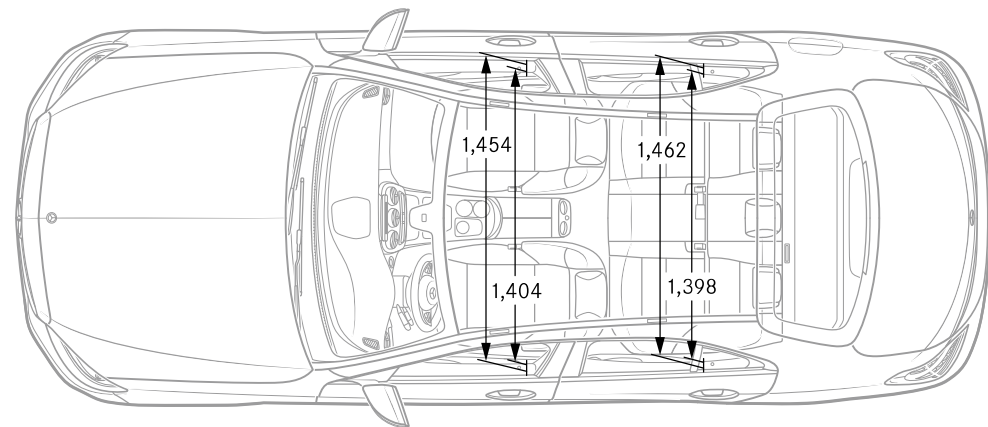
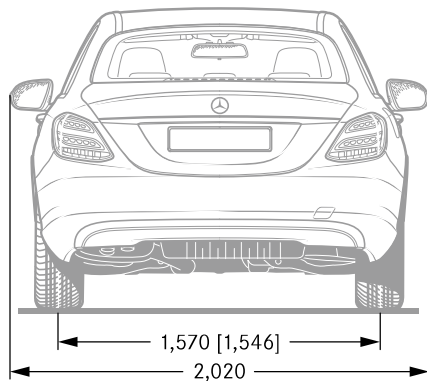
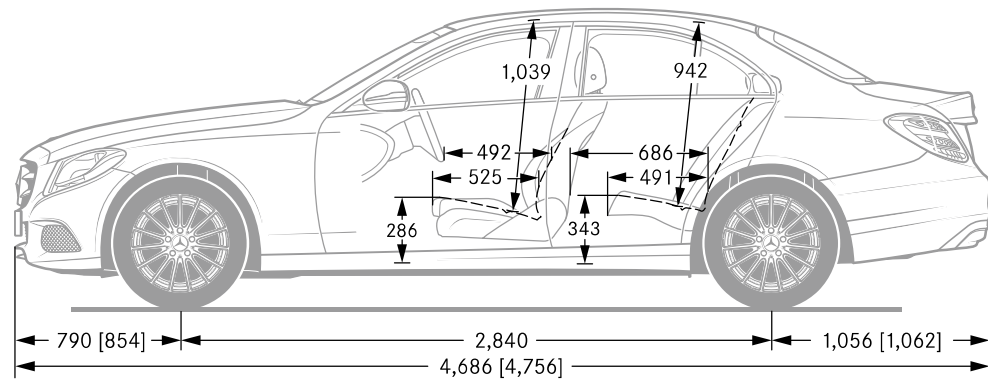
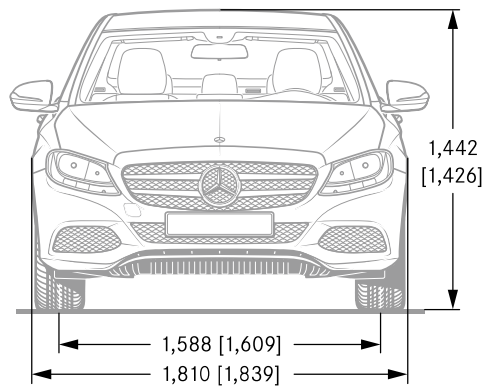
Insurance ratings may vary depending on model line and specification. Please refer to <http://www.thatcham.org/abigrouprating/> for further details

⁵The choice of wheels and transmission may affect CO₂ emissions and corresponding Road Fund Licence

⁶The indicated values were determined according to the prescribed measurement method – Worldwide Harmonised Light Vehicle Test Procedure (WLTP). Figures shown may include options which are not available in the UK.

*CO₂ figures have been converted into NEDC-equivalent values for use with the current VED and BIK tax legislation.

Figures shown are for comparability purposes; only compare with other cars tested to the same technical procedures. Figures may not reflect real life driving results, which will depend upon a number of factors including factory-fitted options, accessories fitted (post registration), variations in weather, driving styles and vehicle load. Further information about the test used to establish fuel consumption and CO₂ figures can be found at <http://www.mercedes-benz.co.uk/WLTP>



Figures in square brackets relate to Mercedes-AMG models. All measurements in millimetres. The dimensions are mean values and apply to standard-specification, unladen vehicles. The figures on pages 70–78 are correct at time of going to print. Please refer to the government website for latest data – <http://carfueldata.direct.gov.uk/>