

Technical data - Coupé

Model	Petrol engines						Diesel engine	
	CLA 180	CLA 200	CLA 220	CLA 220 4MATIC	CLA 250	Mercedes-AMG CLA 35 4MATIC	CLA 220 d	
Engine								
Total displacement	cc	1,332	1,332	1,991	1,991	1,991	1,950	
Arrangement/cylinders/valves		in-line/4/16	in-line/4/16	in-line/4/16	in-line/4/16	in-line/4/16	in-line/4/16	
Power ¹	hp (kW) at rpm	136 (100)/5,500 ±1.5%	163 (120)/5,500 ±1.5%	190 (140)/ 5,500–6,100	190 (140)/ 5,500–6,100	224 (165)/5,500	306 (225)/5,800	190 (140)/3,800
Torque ¹	Nm at rpm	200/1,460–4,000	250/1,620–4,000	300/1,600–4,000	300/1,600–4,000	350/1,800–4,000	400/3,000–4,000	400/1,600–2,600
Transmission								
7G-DCT 7-speed automatic		●	●	●	●	●	●	–
8G-DCT 8-speed automatic		–	–	–	–	–	–	●
Performance								
		auto.	auto.	auto.	auto.	auto.	auto.	auto.
Acceleration 0–62 mph	sec	9.0	8.2	7.0	7.0	6.3	4.9	7.1
Top speed	mph	134	142	150	147	155 ²	155 ²	152

Model	Petrol engines						Diesel engine
	CLA 180	CLA 200	CLA 220	CLA 220 4MATIC	CLA 250	Mercedes-AMG CLA 35 4MATIC	CLA 220 d
Weights and capacities	auto.	auto.	auto.	auto.	auto.	auto.	auto.
Kerb weight ³	kg 1,410	1,420	1,490	1,545	1,490	1,590	1,560
Perm. Gross Vehicle Weight	kg 1,945	1,950	2,020	2,080	2,025	2,115	2,065
Boot capacity	l 460	460	460	460	460	460	460
Towing capacity – unbraked	kg 705	710	745	750	745	750	750
braked	kg 1,400	1,600	1,600	1,800	1,600	1,800	1,600
Fuel tank capacity/of which reserve	l 43/5	43/5	43/5	51/5	43/5	51/5	43/5
Turning circle	m 11.10	11.10	11.10	11.10	11.10	11.70	11.10
Fuel consumption^{4,5,6}	auto.	auto.	auto.	auto.	auto.	auto.	auto.
Combined (consumption dependent on chosen optional equipment)	l/100 km mpg 5.9–6.6 47.9–42.8	5.9–6.6 47.9–42.8	6.7–7.3 42.2–38.7	7.0–7.7 40.4–36.7	6.7–7.3 42.2–38.7	7.6–8.1 37.2–34.9	4.9–5.3 57.7–53.3

³Mass of the vehicle in running order with at least 90% full fuel tank, plus the mass of the driver (estimated by law at 75 kg), fuel and fluids, equipped with the standard equipment as specified by the manufacturer as well as, where applicable, the mass of the body, cab, trailer coupling and spare wheel(s) as well as tools. Optional extras, additional equipment and accessories can influence the weight, residual payload, rolling resistance, aerodynamics, etc. and therefore also affect the consumption/CO₂ values.

⁴All figures are based on a standard specification with the smallest tyre size ⁵The choice of wheels and transmission may affect CO₂ emissions and corresponding Road Fund Licence

⁶The indicated values were determined according to the prescribed measurement method – Worldwide Harmonised Light Vehicle Test Procedure (WLTP). Figures shown may include options which are not available in the UK.

Figures shown are for comparability purposes; only compare with other cars tested to the same technical procedures. Figures may not reflect real life driving results, which will depend upon a number of factors including factory-fitted options, accessories fitted (post registration), variations in weather, driving styles and vehicle load. Further information about the test used to establish fuel consumption and CO₂ figures can be found at <http://www.mercedes-benz.co.uk/WLTP>

Model	Petrol engines						Diesel engine
	CLA 180	CLA 200	CLA 220	CLA 220 4MATIC	CLA 250	Mercedes-AMG CLA 35 4MATIC	CLA 220 d
CO₂ emissions^{5,6,*}	g/km	auto.	auto.	auto.	auto.	auto.	auto.
Emissions standard		EU6	EU6	EU6	EU6	EU6	EU6
18" alloy wheels (225/45 tyres)		126	126	138	148	138	–
18" alloy wheels (235/40 tyres)		–	–	–	–	–	164
19" alloy wheels (235/35 tyres)		–	–	–	–	–	167
Insurance		auto.	auto.	auto.	auto.	auto.	auto.
Group rating		tba	tba	tba	tba	tba	tba

Insurance ratings may vary depending on model line and specification. Please refer to <http://www.thatcham.org/abigrouprating/> for further details

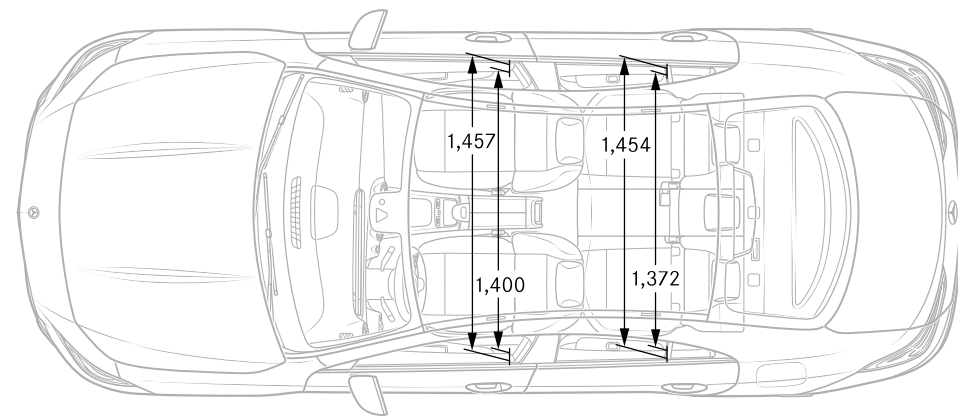
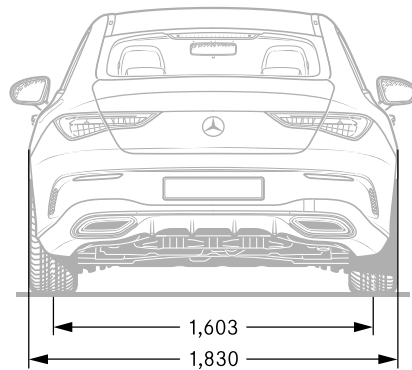
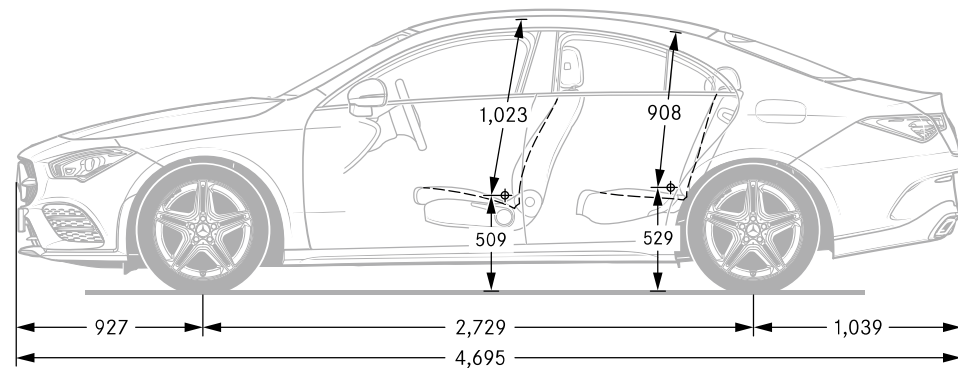
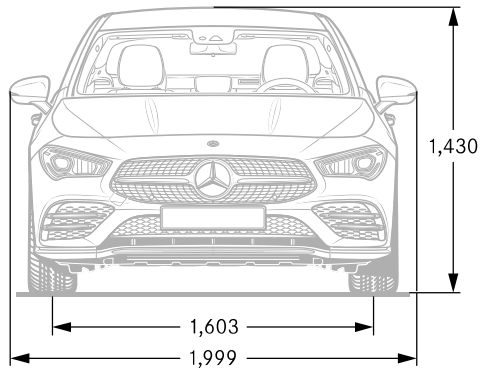
⁵The choice of wheels and transmission may affect CO₂ emissions and corresponding Road Fund Licence

⁶The indicated values were determined according to the prescribed measurement method – Worldwide Harmonised Light Vehicle Test Procedure (WLTP). Figures shown may include options which are not available in the UK.

*CO₂ figures have been converted into NEDC-equivalent values for use with the current VED and BIK tax legislation.

Figures shown are for comparability purposes; only compare with other cars tested to the same technical procedures. Figures may not reflect real life driving results, which will depend upon a number of factors including factory-fitted options, accessories fitted (post registration), variations in weather, driving styles and vehicle load. Further information about the test used to establish fuel consumption and CO₂ figures can be found at <http://www.mercedes-benz.co.uk/WLTP>

AMG Line



All measurements in millimetres. The dimensions shown are mean values and apply to standard-specification, unladen vehicles